

R.C. PLATH CO.

Specialty Marine Hardware 2010



PLATH
Specialty Marine Hardware
Portland, Oregon



*The finest accessories for adding safety, pleasure, and value to your craft.
No craft too small or large for Plath.*

MADE IN USA

TABLE OF CONTENTS

Anchor Windlass:	
Model 2G.....	1
Model 2GW.....	2
Model 3G.....	3
Model 3GW.....	4
Model 4.....	5
Model 4H.....	6
Model 5A.....	7
Model 5B.....	7
Model 6A.....	8
Model 6B.....	8
Model 7A.....	9
Model 7B.....	9
Model 9A.....	10
Model 9B.....	10
Model 11A.....	11
Model 11B.....	11
Model 12G.....	12
Model 12GW.....	13
Foot Switch for Electric Winch.....	14
Power Up/Power Down Panel.....	15
Anchor Windlass Protection Panel.....	15
Specifications.....	16
Chain Information.....	17
Power Take-Offs.....	18-20
Open, Anchor & Bow Chocks.....	21
Bow Chocks w/Pulley.....	22
Mooring Cleats.....	22
Ski Tow Cleats.....	22
Trolling Brakes.....	23
Davits.....	24
Index.....	25-26

Model No. 2G Electric Operated Vertical Capstan Anchor Windlass

Up to 75 pound Anchor



A medium sized vertical capstan anchor windlass for yachts of 35' to 50', where deck space is limited or where the yachtman wants as little forward deck space used for anchoring equipment as possible. The unit has only the deck plate and rope gypsy above deck and can be mounted with power and gearbox in any of four positions below deck. Deck thickness may be adjusted from 3" to 5" by adjusting the coupler. Included with unit are a chrome plated water tight foot switch, solenoid, and four stainless steel mounting bolts. Shaft made of stainless steel. Deck pipe and guide available that will handle chain and line with thimble.

Motor Voltages Available:

- ◆ ¾ hp. Ceramic field intermittent duty
12 Volt DC / Capacity 300 lbs.
- ◆ 1 hp. Ceramic field intermittent duty
32 Volt DC / Capacity 400 lbs.
- ◆ 1 hp. Ceramic field intermittent duty
115 Volts AC / Capacity 400 lbs.

Weight

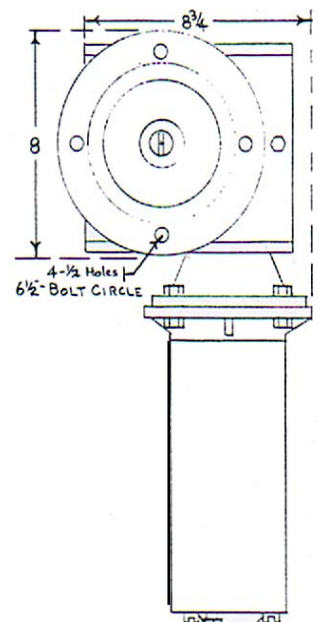
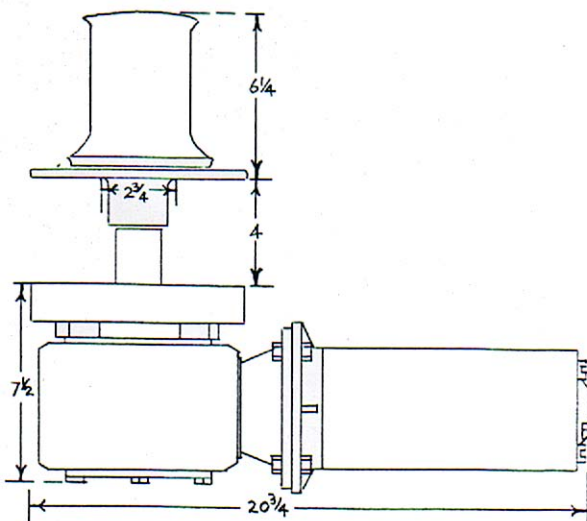
- ◆ 95 lbs.

Finish

- ◆ Polished bronze deck plate and rope gypsy. (Polished bronze can be furnished chrome plated.)

Speed

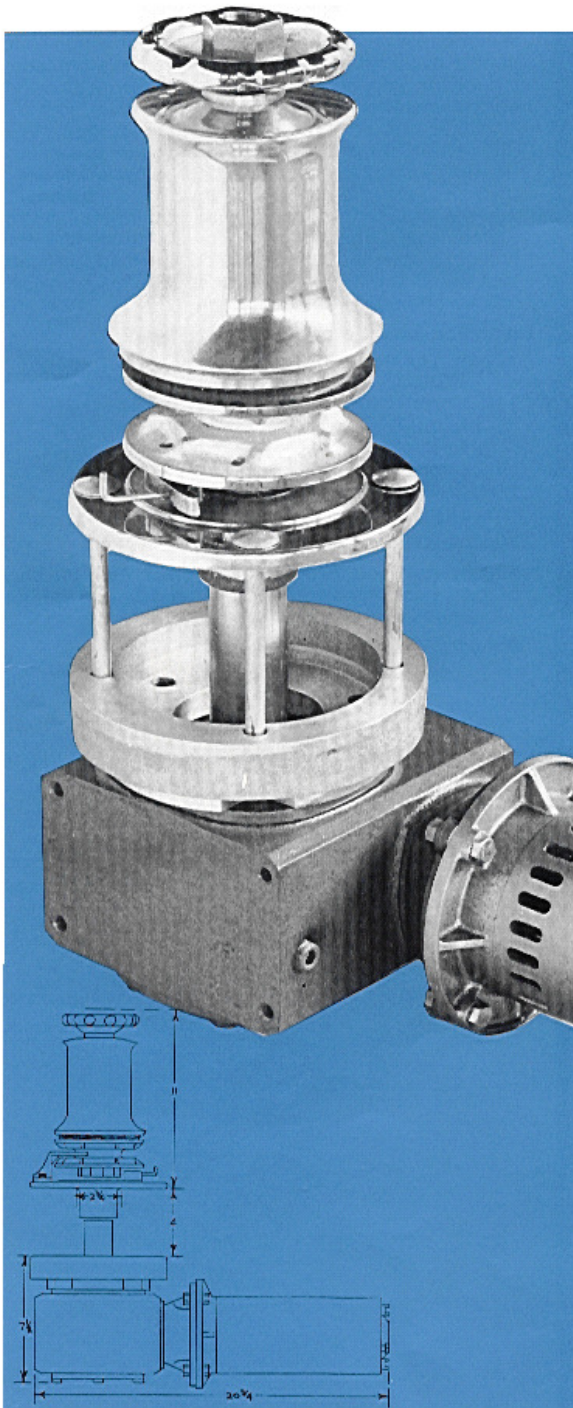
- ◆ 35 ft. per minute



Model No. 2GW Electric Operated Vertical Anchor Windlass

Up to 75 pound Anchor

A medium size vertical anchor windlass for yachts of 35' to 50' where forward deck space is limited or where the yachtman wants as little forward deck space used for anchoring equipment as possible. This unit is built with chain wildcat with cone clutch and rope gypsy. The rope gypsy may be used independently of the wildcat if desired. The power and gear box can be mounted in any of four positions below deck. Deck thickness may be varied from 3" to 5" by adjusting the coupler. Included with the unit is chrome plated water tight foot switch, solenoid, chain stripper, four stainless steel mounting bolts, handwheel, brake wrench for increased leverage and emergency handle in case of power failure. Shaft and fitting made of stainless steel. Deck pipe and line guide that will handle chain and line with thimble is available.



Motor Voltages Available:

- ◆ ¾ hp. Ceramic field intermittent duty
12 Volt DC / Capacity 300 lbs.
- ◆ 1 hp. Ceramic field intermittent duty
32 Volt DC / Capacity 400 lbs.
- ◆ 1 hp. Ceramic field intermittent duty
115 Volt DC / Capacity 400 lbs.

Weight

- ◆ 105 lbs.

Chain Size

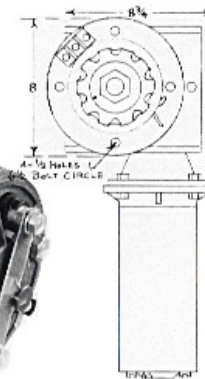
- ◆ 1/4," 5/16," 3/8," BBB, System 3, 4, 7, and 8

Finish

- ◆ Polished bronze deck plate, wildcat, gypsy and handwheel.
(Polished bronze can be furnished chrome plated.)

Speed

- ◆ 35 ft. per minute



Model No. 3G Electric Operated Vertical Capstan Anchor Windlass

Up to 150 pound Anchor

A large size vertical capstan anchor windlass for yachts of 50' to 85' where forward deck space is limited or where the yachtsman wants as little forward deck space used for anchoring equipment as possible. This unit consists of only a deck plate and rope gypsy above deck and can be mounted with power gear box in any of 6 positions below deck. Deck thickness may be adjusted from 3" to 5" by adjusting the coupler. Included with unit are a chrome plated water tight foot switch, solenoid and six (6) mounting bolts. Shaft is made of stainless steel. Deck pipe and guide are available that will handle chain and line with thimble.

Motor Voltages Available:

- ◆ ¾ hp. Ceramic field intermittent duty
12 Volt DC / Capacity 450 lbs.
- ◆ 1 hp. Ceramic field intermittent duty
32 Volt DC / Capacity 600 lbs.
- ◆ 1 hp. Ceramic field intermittent duty
115 Volt AC / Capacity 600 lbs.

Weight

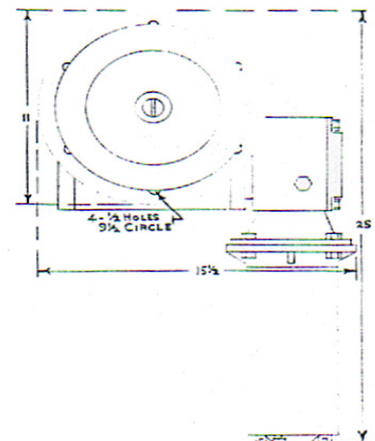
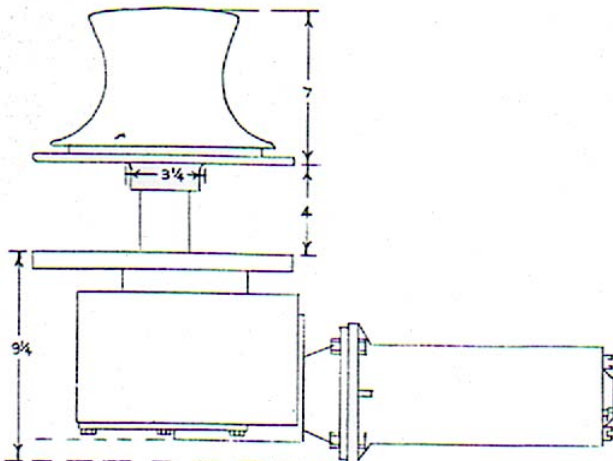
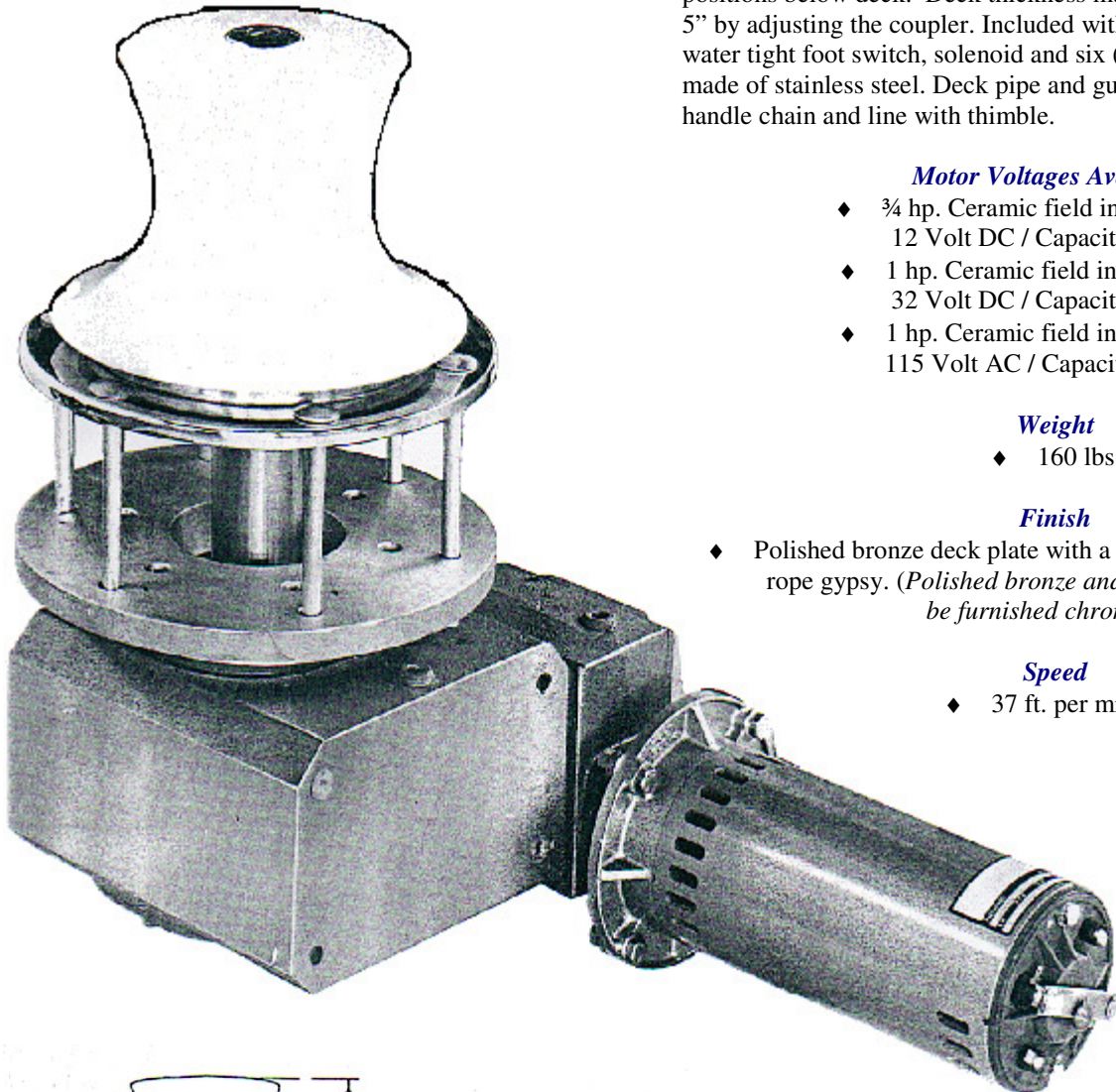
- ◆ 160 lbs.

Finish

- ◆ Polished bronze deck plate with a tough white powder coated rope gypsy. (Polished bronze and powder coated parts can be furnished chrome plated.)

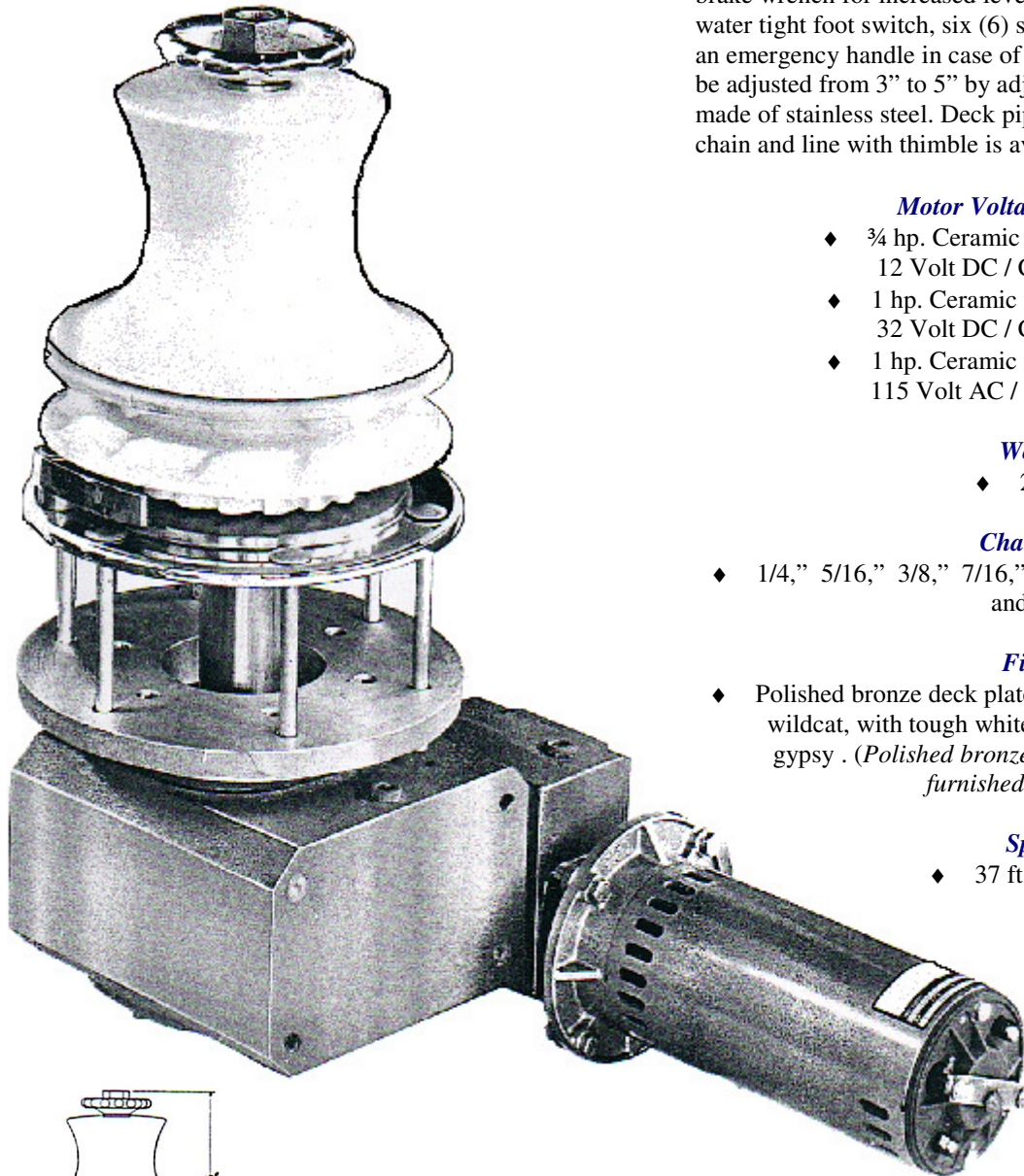
Speed

- ◆ 37 ft. per minute



Model No. 3GW Electric Operated Vertical Anchor Windlass

Up to 150 pound Anchor



A large vertical anchor windlass for yachts 50' to 85' where forward deck space is limited or where the yachtsman wants as little forward deck space used for anchoring equipment as possible. This unit is built with rope gypsy and chain wildcat with cone type brake. Gear box and power may be mounted in any of 6 positions below deck. The rope gypsy can be used independent of the chain wildcat. Also included are chain stripper, handwheel, brake wrench for increased leverage, solenoid , chrome plated water tight foot switch, six (6) stainless steel mounting bolts and an emergency handle in case of power failure. Deck thickness can be adjusted from 3" to 5" by adjusting coupler. Shaft and fittings made of stainless steel. Deck pipe and guide that will handle chain and line with thimble is available.

Motor Voltages Available:

- ◆ ¾ hp. Ceramic field intermittent duty
12 Volt DC / Capacity 450 lbs.
- ◆ 1 hp. Ceramic field intermittent duty
32 Volt DC / Capacity 600 lbs.
- ◆ 1 hp. Ceramic field intermittent duty
115 Volt AC / Capacity 600 lbs.

Weight

- ◆ 200 lbs.

Chain Size

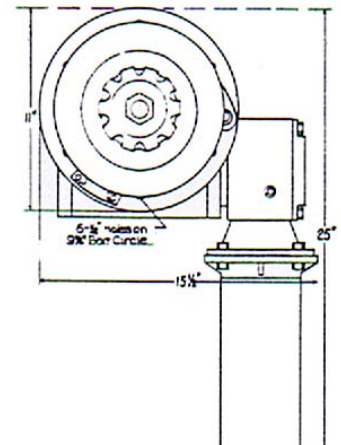
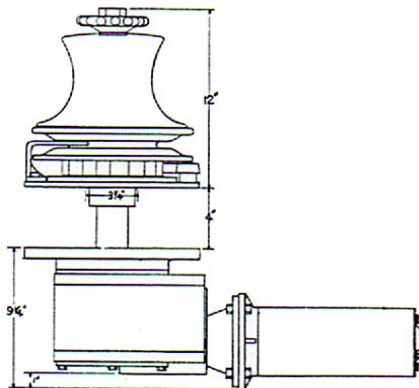
- ◆ 1/4," 5/16," 3/8," 7/16," and 1/2," BBB, System 3, 4, 7, and System 8

Finish

- ◆ Polished bronze deck plate and handwheel, cast steel chain wildcat, with tough white powder coated aluminum rope gypsy . (Polished bronze and white powder coat can be furnished chrome plated.)

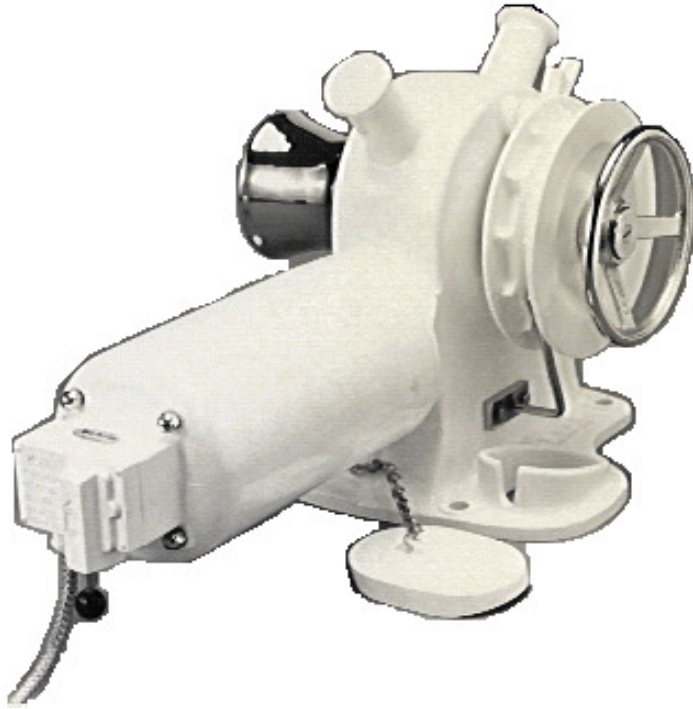
Speed

- ◆ 37 ft. per minute



Model No. 4 Electric Operated Anchor Windlass

Up to 150 pound Anchor



This electric windlass makes anchor handling easy. The chain wildcat is easily controlled by turning the bronze handwheel to engage the friction cone clutch. The clutch is also used as a brake when dropping the anchor. The rope gypsy will turn independent of the chain wildcat. The precision gears operate in an oil bath. Unit may be operated by an emergency handle in case of power failure. Shaft and fittings made of stainless steel. Deck pipe will handle chain and line with thimble. To permit anchoring in deep water a special drum is available, handling 600' of 3/8" steel cable or 300' of 1/2" cable. The drum is also equipped with a friction clutch for free spooling of the drum. The Model No. 4 windlass is designed for use with chain, rope or cable on either pleasure craft or work boats.

Note: No.4 windlass is also available with hydraulic power. (*Call for details.*)

Motor Voltages Available:

- ◆ 3/4 hp. Ceramic field intermittent duty
12 Volt DC / Capacity 450 lbs.
- ◆ 1 hp. Ceramic field intermittent duty
32 Volt DC / Capacity 600 lbs.
- ◆ 1 hp. Ceramic field intermittent duty
115 Volt AC / Capacity 600 lbs.

Weight

- ◆ 165 lbs.

Housing

- ◆ Aluminum alloy

Chain size

- ◆ 1/4," 5/16," 3/8," 7/16," and 1/2," BBB, System 3, 4, 7, and System 8

Finish

- ◆ Tough white powder coat with aluminum or bronze rope gypsy, polished bronze handwheel and cast steel chain wildcat. (*Rope gypsy and accessories are available chrome plated.*)

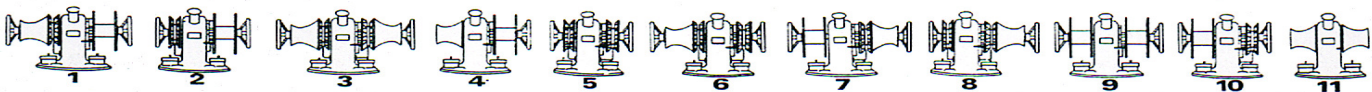
Cable drum

- ◆ 5" cone x 14 1/2" O.D. x 6" or 8" wide

Speed

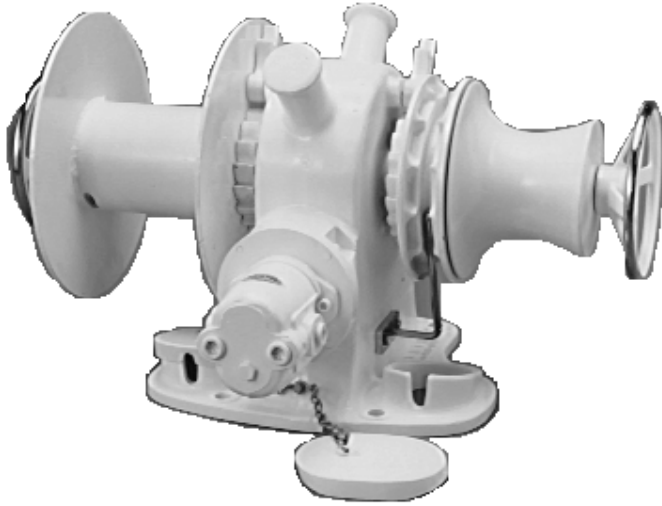
- ◆ 36 ft. per minute

Model No. 4 available in the following additional configurations:



Model No. 4H Hydraulic Operated Anchor Windlass

Up to 200 pound Anchor



This unit is basically the same as Model 4 electric, except for being powered hydraulically and providing a greater hoisting capacity. The gear type hydraulic motor operates on 1000 psi @ 7.5 gpm. Unit may be hand operated with an emergency handle in case of power failure. Power is applied to the chain wildcat through a cone clutch, which is also used as a brake when dropping anchor. Shaft and fittings made of stainless steel. A cable drum is available to permit anchoring in deep water and designed for handling 600' of 3/8" steel cable or 300' of 1/2" steel cable. The drum is equipped with a friction clutch for free spooling. Deck pipe will handle chain and line with thimble. The Model 4H is designed for handling chain, rope or cable on pleasure craft or work boats.

Weight

- ◆ 125 lbs.

Housing

- ◆ Aluminum alloy

Chain size

- ◆ 1/4," 5/16," 3/8," 7/16," and 1/2," BBB, System 3, 4, 7, and System 8

Finish

- ◆ Tough white powder coat with aluminum or bronze rope gypsy, polished bronze handwheel and cast steel chain wildcat. (*Rope gypsy and accessories are available chrome plated.*)

Cable drum

- ◆ 5" cone x 14 1/2" O.D. x 6" or 8" wide

Speed

- ◆ 30 ft. per minute

Gear Type Hydraulic Motor

- ◆ 1000 psi at 7.5 GPM

Capacity

- ◆ 800 lbs.

Model No. 5A and 5B Electric Operated Anchor Windlass

Up to 150 pound Anchor



As on all PLATH Power Windlasses, power is applied to the chain wildcat through a cone clutch, which is also used as a brake when dropping anchor. The rope gypsy will turn independent of chain wildcat. An emergency handle operating device is furnished for use in case of power failure. Deck pipe will handle chain and line with thimble. The Model No. 5 windlass is designed for use with chain and/or rope on both pleasure craft and work boats.

Motor Voltages Available:

- ◆ ¾ hp. Ceramic field intermittent duty
12 Volt DC / Capacity 300 lbs.
- ◆ 1 hp. Ceramic field intermittent duty
32 Volt DC / Capacity 400 lbs.
- ◆ 1 hp. Ceramic field intermittent duty
115 Volts AC / Capacity 400 lbs.

Weight

- ◆ 5A-90 lbs. aluminum alloy unit
 - ◆ 5B-120 lbs. bronze unit

Chain size

- ◆ 1/4," 5/16," 3/8," BBB, System 3, 4, 7, and 8

Finish

- ◆ Tough white powder coat with polished bronze handwheel and aluminum or bronze rope gypsy. (*Polished bronze accessories can be furnished chrome plated.*)

Speed

- ◆ 35 ft. per minute

**Model No. 5
available in the following additional configurations:**



Model No. 6A and 6B Electric Operated Anchor Windlass

Up to 75 pound Anchor



Designed and manufactured to meet requirements of the yachtsman who has wanted a fast dependable anchor windlass. Motor is connected direct, but installed below deck, giving neat appearance. Brake operated by large handwheel with separate wrench for increasing leverage. Emergency hand crank operation in case of power failure. Shaft and fittings made of stainless steel. Deck pipe will handle chain and line with thimble. Windlass is complete with water tight chrome plated foot switch, solenoid and brake wrench.

Motor Voltages Available:

- ◆ ¾ hp. Ceramic field intermittent duty
12 Volt DC / Capacity 300 lbs.
- ◆ 1 hp. Ceramic field intermittent duty
32 Volt DC / Capacity 400 lbs.
- ◆ 1 hp. Ceramic field intermittent duty
115 Volts AC / Capacity 400 lbs.

Weight

- ◆ 6A-60 lbs. aluminum alloy unit
- ◆ 6B-75 lbs. bronze unit

Chain size

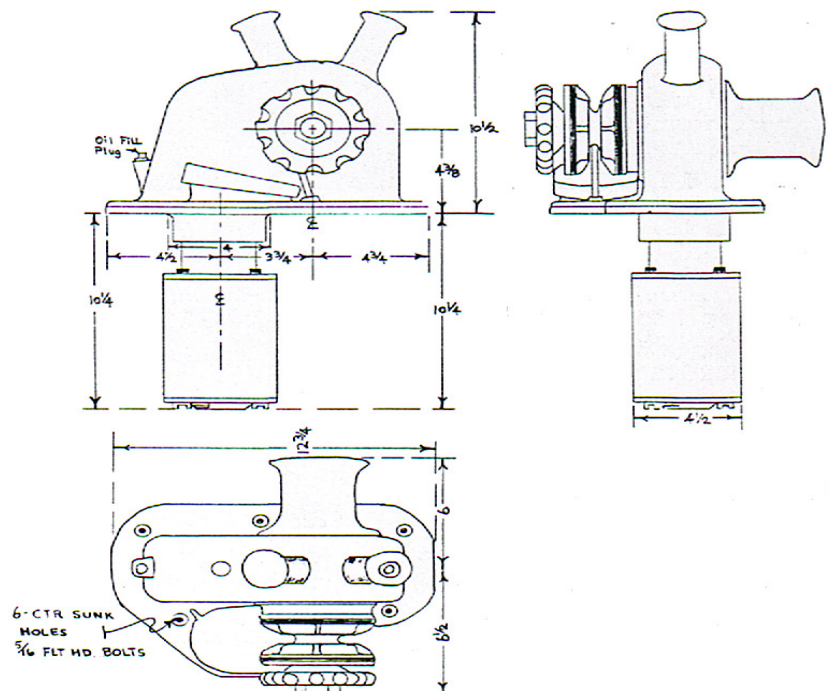
- ◆ 1/4," 5/16," 3/8," BBB, System 3, 4, 7, and System 8

Finish

- ◆ Tough white powder coat with polished bronze handwheel and aluminum or bronze rope gypsy. (*Polished bronze can be furnished chrome plated.*)

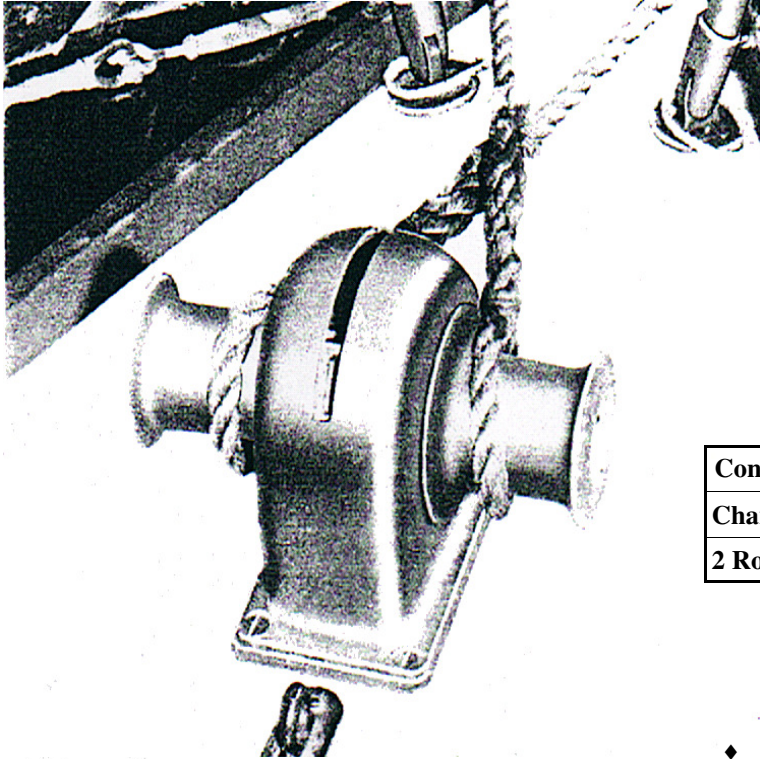
Speed

- ◆ 35 ft. per minute



Model No. 7A and 7B Hand Operated Anchor Windlass

Up to 50 pound Anchor



Available with either two rope gypsies or one rope gypsy and one chain wildcat, this windlass is especially light-weight, but very sturdy. Model No. 7A is cast of high-tensile, corrosion resistant aluminum alloy — Model No. 7B is made of cast bronze and is also available chrome plated. Shaft and fittings made of stainless steel. The removable handle is used for operating the double-action ratchet, engaging the clutch, and the smooth-acting brake for dropping anchor. Ratchet provides continuous rotation on forward and reverse strokes. Clutch-arrangement allows independent use of the rope gypsy when anchoring with chain. Deck pipe will handle chain and line with thimble. Designed for use on pleasure craft or work boats.

Weight

Configuration	Aluminum	Bronze	Chrome
Chain Wildcat	28 lbs.	45 lbs.	45 lbs.
2 Rope gypsies	22 lbs.	38 lbs.	38 lbs.

Chain Size

- ◆ 1/4," 5/16," 3/8," BBB, System 3, 4, 7, and System 8

Finish

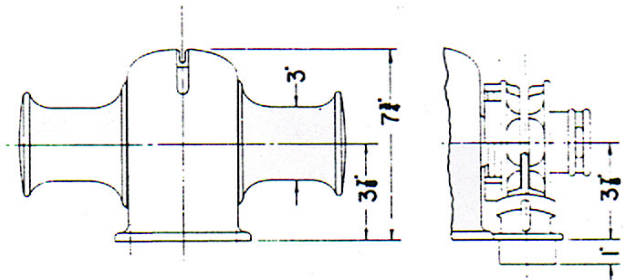
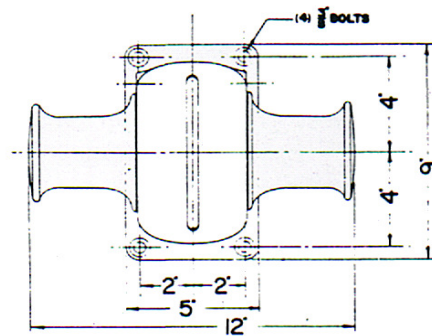
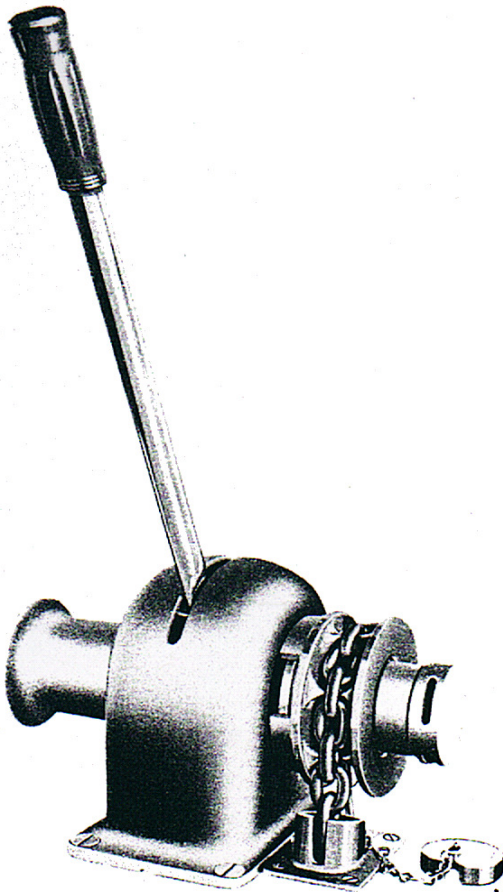
- ◆ Bronze model is available chrome plated or wire burnished. Aluminum alloy finished in a tough white powder coat.

Handle

- ◆ 18" long / removable

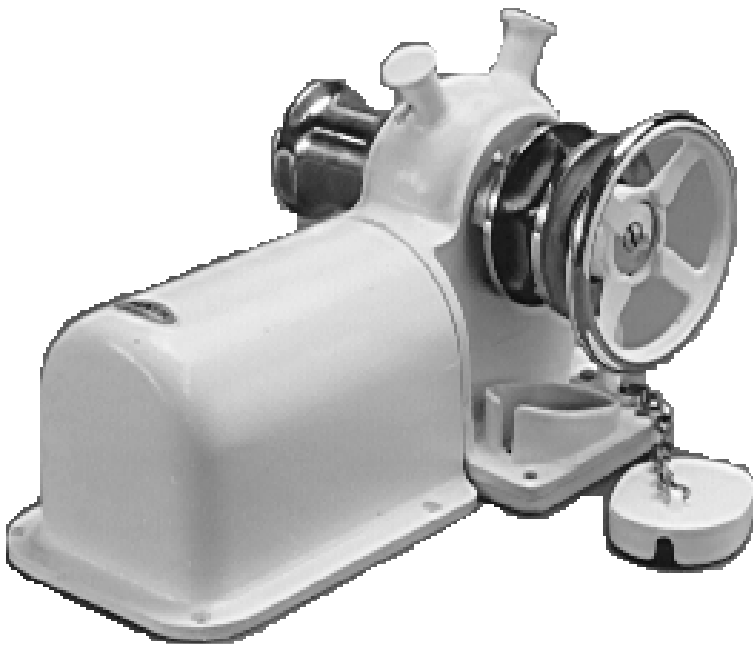
Speed

- ◆ Approximately 20 ft. per minute



Model No. 9A and 9B Electric Operated Anchor Windlass

Up to 40 pound Anchor



A small 12 volt Anchor windlass, built of the highest quality cast corrosion resistant aluminum alloy housing, or cast bronze housing. Stainless steel shaft and fittings available with either two rope gypsies or one rope gypsy and one chain wildcat. The chain wildcat is easily controlled by turning the bronze handwheel to engage or release. Brake arrangement allows independent use of the rope gypsy and chain wildcat. Complete unit mounts on deck and includes solenoid; water tight chrome plated foot switch and emergency handle. Deck pipe will handle chain and line with thimble.

Designed for use on boats 24' to 35.'

Motor Voltage Available:

- ◆ ¾ hp. Ceramic field intermittent duty
12 Volt DC / Capacity 300 lbs.

Weight

- ◆ 9A-50 lbs. aluminum alloy unit
- ◆ 9B-70 lbs. bronze unit

Chain size

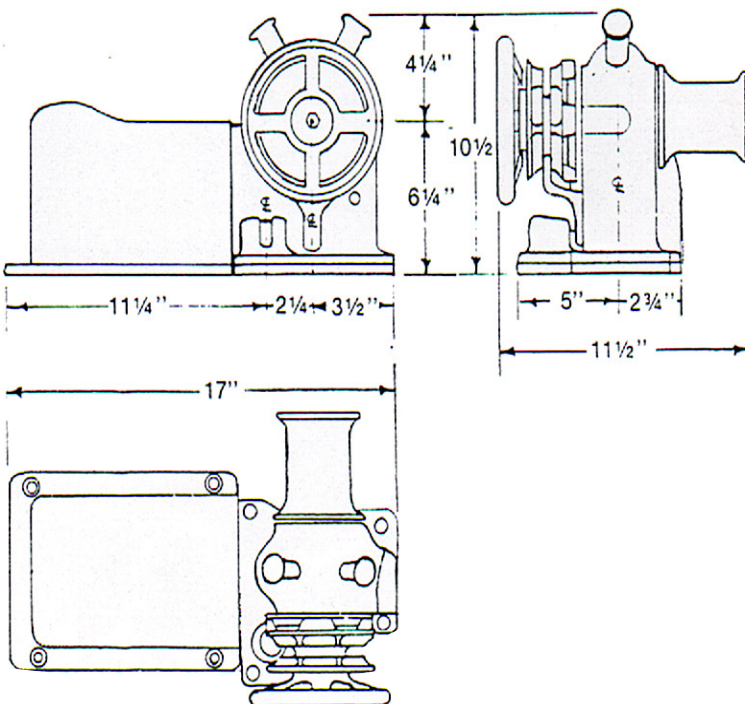
- ◆ 1/4," 5/16," 3/8," BBB, System 3, 4, 7, and System 8

Finish

- ◆ Tough white powder coat. Aluminum model has aluminum rope gypsy with polished bronze handwheel. Bronze model has polished bronze rope gypsy and polished bronze handwheel. (*Polished bronze can be furnished chrome plated.*)

Speed

- ◆ 40 ft. per minute



Model No. 9A and 9B available in the following additional configuration:



11

Model No. 11A and 11B Electric Operated Anchor Windlass



A small 12 volt anchor windlass built of cast corrosion resistant aluminum alloy housing or cast bronze housing. Stainless steel shaft and fittings. Available with either two rope gypsies or one chain wildcat and rope gypsy. The chain wildcat easily controlled by turning the bronze handwheel to engage or release brake. This arrangement allows independent use of the rope gypsy and wildcat. The 12 volt motor mounts below deck and comes completely assembled ready for mounting. Unit comes complete with solenoid and chrome plated water tight foot switch and emergency handle. Deck pipe will handle chain and line with thimble.

Designed for use on boats 24' to 35'.

Motor Voltage Available:

- ◆ ¾ hp. Ceramic field intermittent duty
12 Volt DC / Capacity 300 lbs.

Weight

- ◆ 9A-50 lbs. aluminum alloy unit
- ◆ 9B-70 lbs. bronze unit.

Chain size

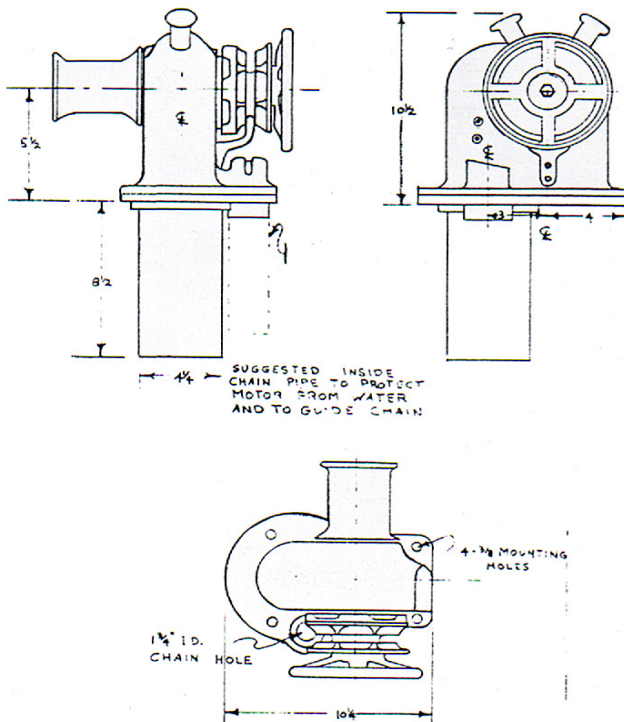
- ◆ 1/4" , 5/16" , 3/8" , BBB, System 3, 4, 7, and System 8

Finish

- ◆ Tough white powder coat. Aluminum model has aluminum rope gypsy with polished bronze handwheel. Bronze model has polished bronze rope gypsy and polished bronze handwheel. (Polished bronze can be furnished chrome plated.)

Speed

- ◆ 40 ft. per minute



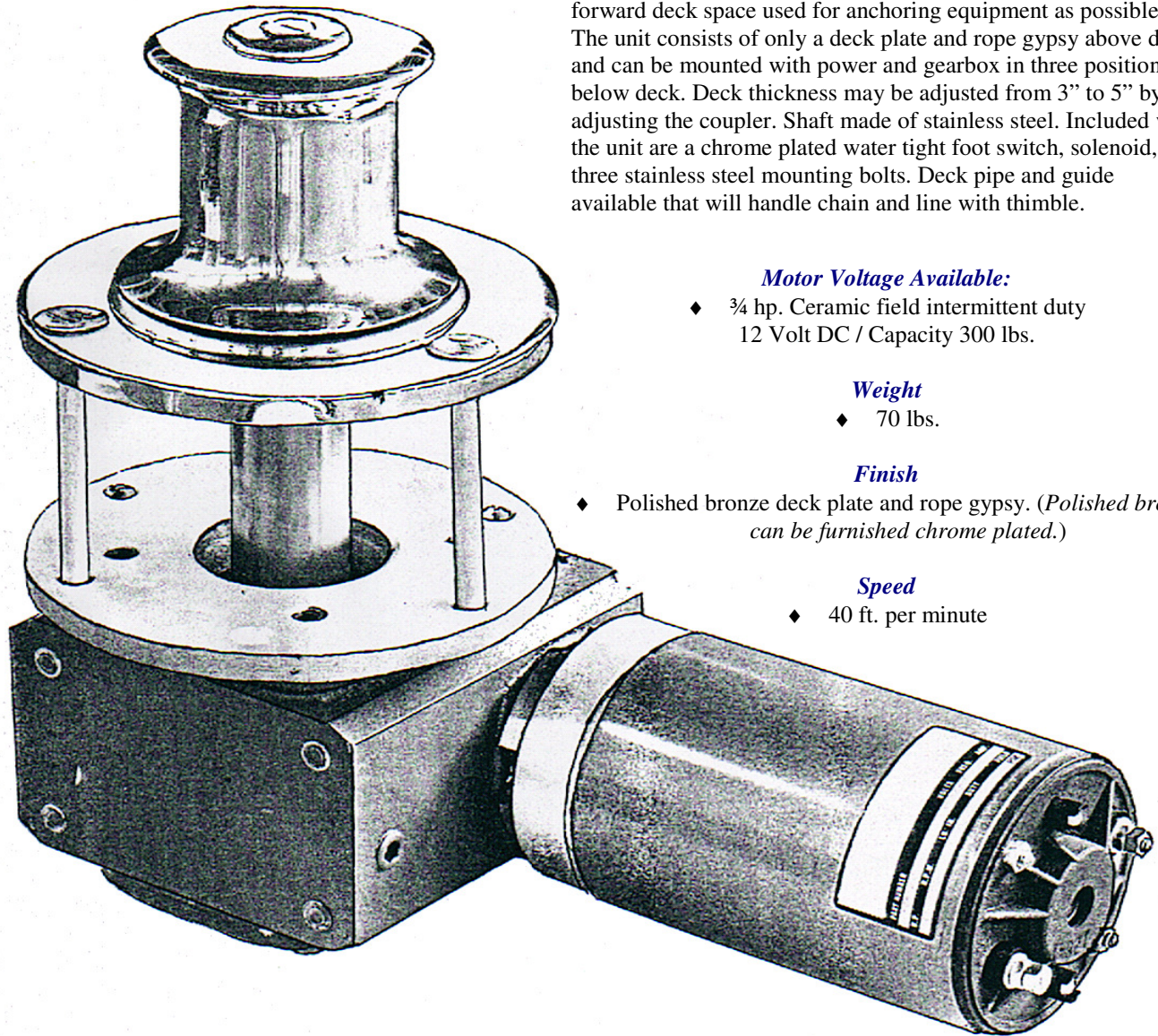
Model No. 11A and 11B
available in the following additional configuration:



Model No. 12G Electric Operated Vertical Capstan Anchor Windlass

Up to 40 pound Anchor

A small compact vertical capstan anchor windlass for yachts of 24' to 35'. Designed for the yachtsman who wants as little forward deck space used for anchoring equipment as possible. The unit consists of only a deck plate and rope gypsy above deck and can be mounted with power and gearbox in three positions below deck. Deck thickness may be adjusted from 3" to 5" by adjusting the coupler. Shaft made of stainless steel. Included with the unit are a chrome plated water tight foot switch, solenoid, and three stainless steel mounting bolts. Deck pipe and guide available that will handle chain and line with thimble.



Motor Voltage Available:

- ◆ ¾ hp. Ceramic field intermittent duty
12 Volt DC / Capacity 300 lbs.

Weight

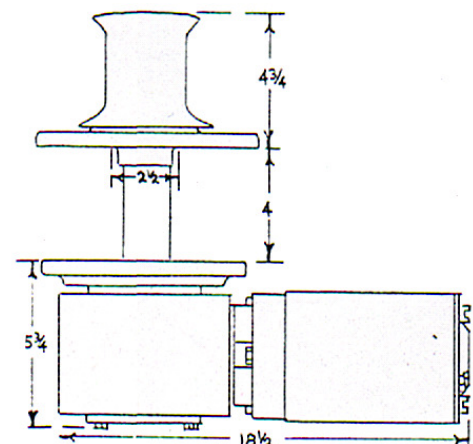
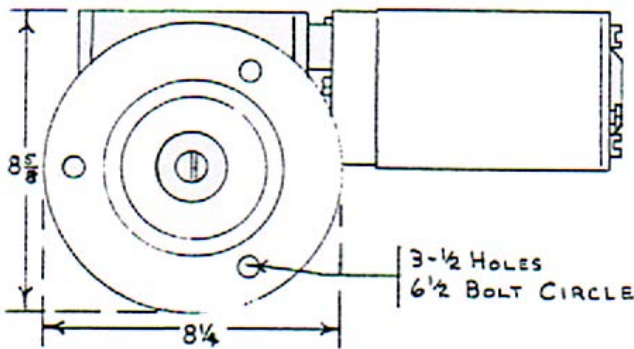
- ◆ 70 lbs.

Finish

- ◆ Polished bronze deck plate and rope gypsy. (Polished bronze can be furnished chrome plated.)

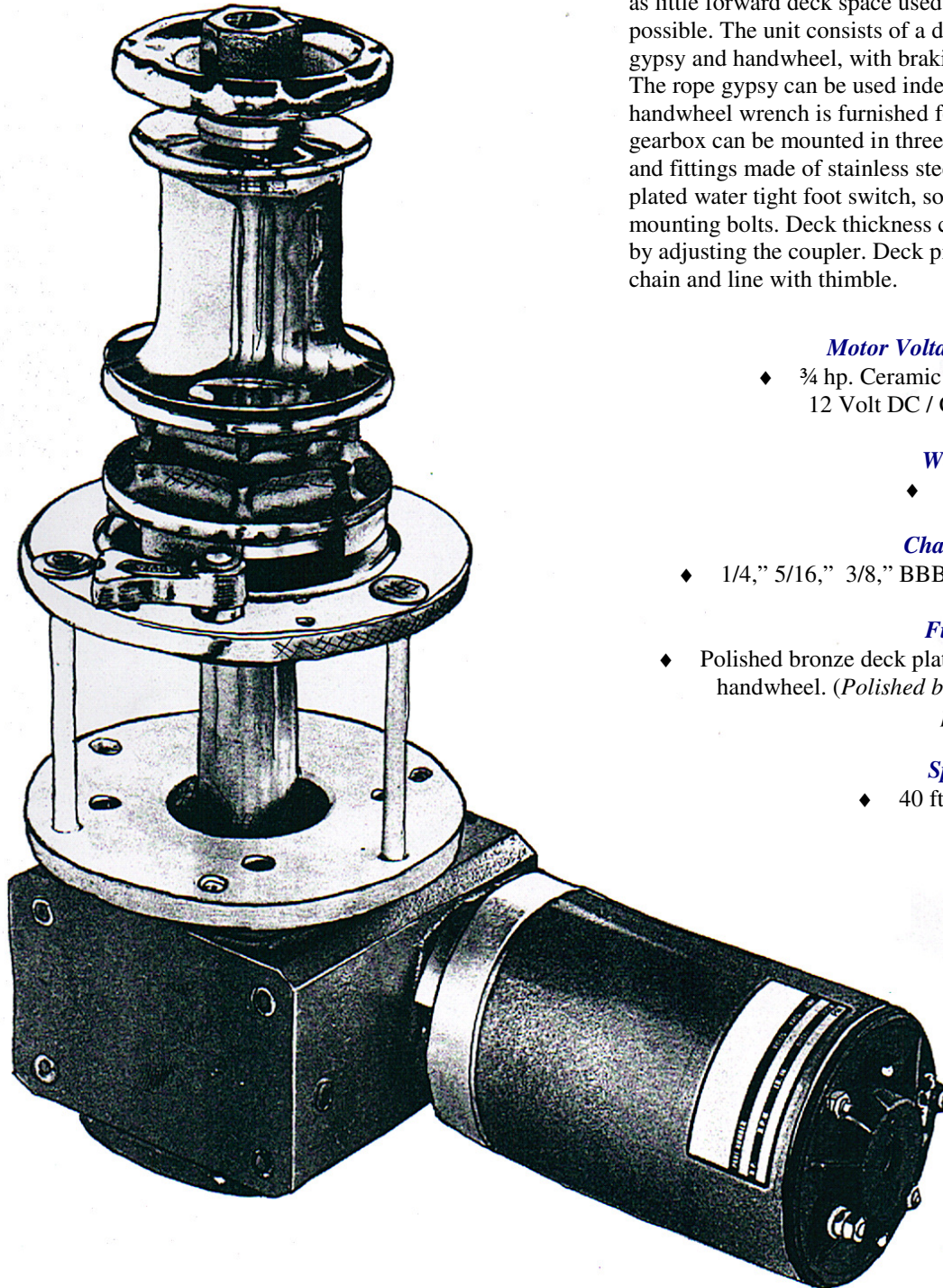
Speed

- ◆ 40 ft. per minute



Model No. 12GW Electric Operated Vertical Anchor Windlass

Up to 40 pound Anchor



A small compact vertical anchor windlass for boats 24' to 35' with limited forward deck space, or where the yachtsman wants as little forward deck space used for anchoring equipment as possible. The unit consists of a deck plate, chain wildcat, rope gypsy and handwheel, with braking through a disc type brake. The rope gypsy can be used independently of wildcat. A handwheel wrench is furnished for added leverage. Power and gearbox can be mounted in three positions below deck. Shaft and fittings made of stainless steel. Also included are a chrome plated water tight foot switch, solenoid, three stainless steel mounting bolts. Deck thickness can be adjusted from 3" to 5" by adjusting the coupler. Deck pipe available that will handle chain and line with thimble.

Motor Voltages Available:

- ◆ 3/4 hp. Ceramic field intermittent duty
12 Volt DC / Capacity 300 lbs.

Weight

- ◆ 80 lbs.

Chain Size

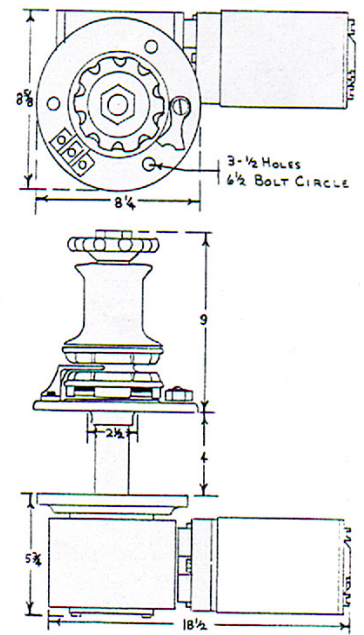
- ◆ 1/4," 5/16," 3/8," BBB, System 3, 4, 7, and System 8

Finish

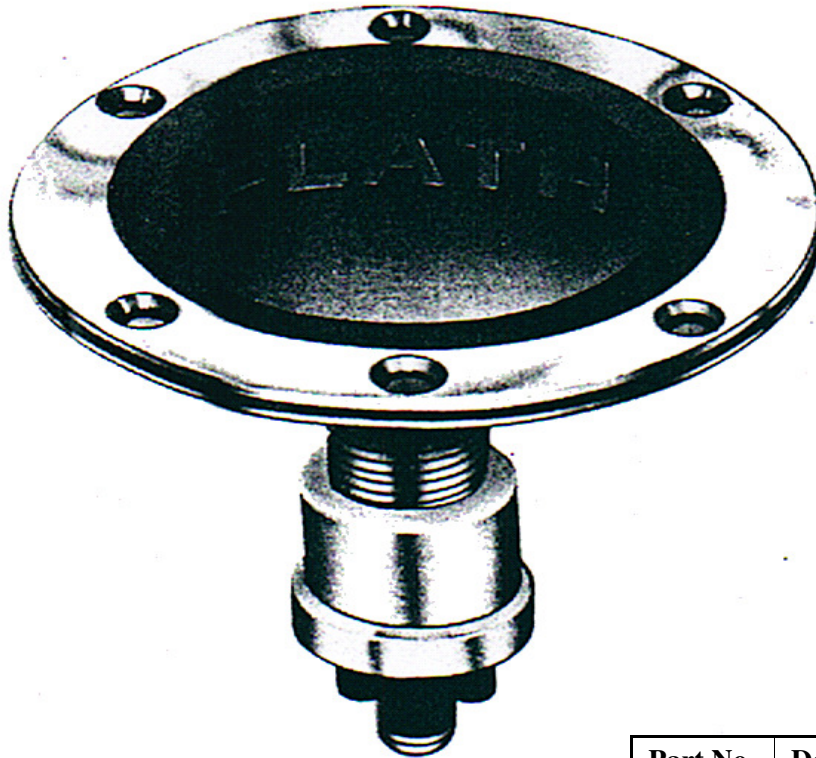
- ◆ Polished bronze deck plate, chain wildcat, rope gypsy and handwheel. (*Polished bronze can be furnished chrome plated.*)

Speed

- ◆ 40 ft. per minute



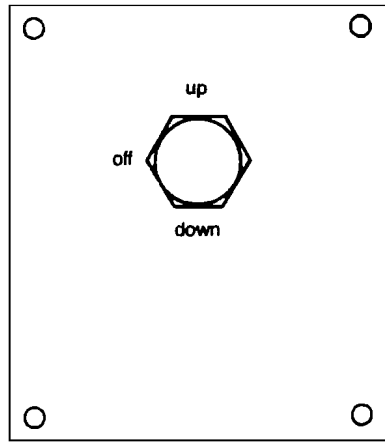
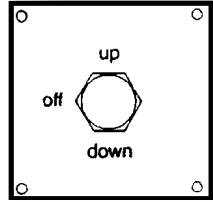
Foot Switch For Any No. 4-5-6-9-11 Electric Winch



Replacement Parts

Part No.	Description	Material	Quantity
1	Screw Flange	Brass-chrome	1
2	Cover	Rubber	1
3	Switch Hanger	Stainless Steel	1
4	Switch	Cole-Hersee M-491	1
5	Solenoid 24-32 Volts	Allen-Bradley	1

Power Up/Power Down Panel

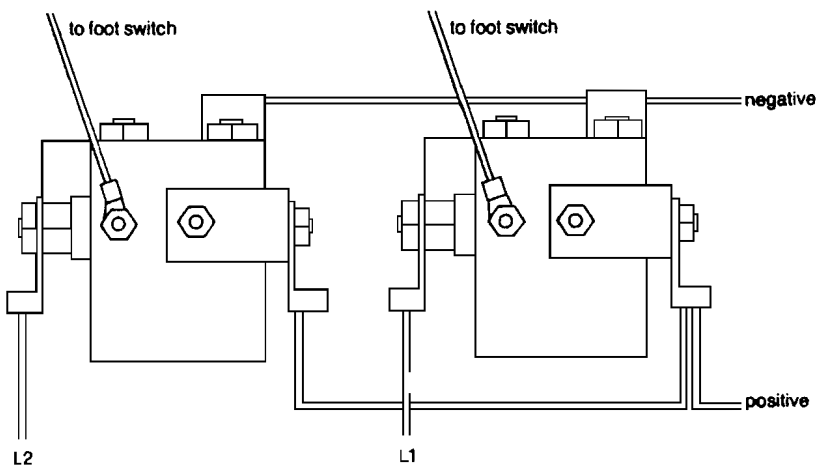


Power Up/Power Down Panel for 12 volt anchor windlass. Models 2, 3, 4, 5, 6, 9, 11, and 12.

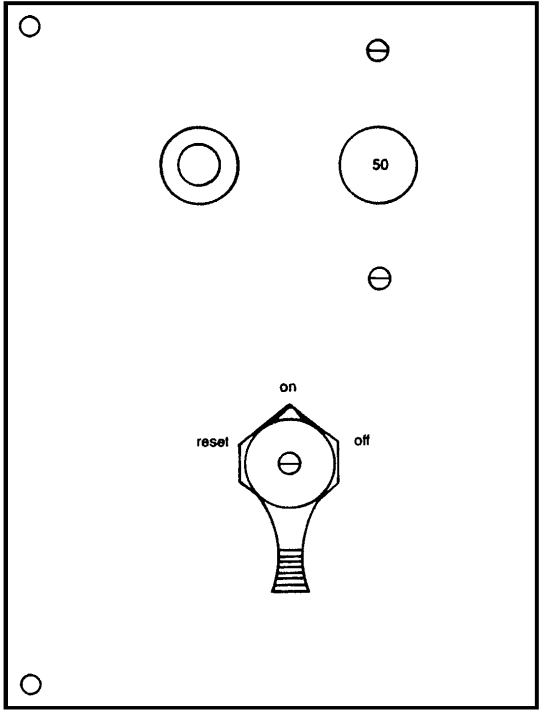
Power Up/Power Down Panel for 115 volt. Models 2, 3, 4, 5, and 6.

The units that can be installed in the field are for windlass models 2, 3, 6, 9, 11, and 12.

Special windlass must be produced at the factory for models 4 and 5 and all 115 volt units of any model.



Anchor Windlass Protection Panel



12 volt, and 115 volt for all models.

Specifications

Suggested sizes of Anchor, Chain and Rope for vessels up to 35 tons

Weight of boat Short Tons	Min. anchor lbs. Kedge	Min. anchor lbs. Light Wt.	Nylon rope Diameter	Chain BBB	100 ft. of chain Weight lbs.	100 ft. of chain Cu. Ft. Volume
2	20	12	3/8"	3/16"	43	.24
5	30	15	1/2"	3/16"	43	.24
7 1/2	40	18	9/16"	1/4"	76	.42
10	50	20	9/16"	1/4"	76	.42
12 1/2	60	23	5/8"	5/16"	113	.65
15	70	25	5/8"	5/16"	113	.65
20	90	30	3/4"	3/8"	165	.94
25	110	35	3/4"	3/8"	165	.94
30	130	40	7/8"	7/16"	222	1.28
35	150	45	1"	1/2"	292	1.67

Wire Sizes and Recommended Fuses

AMERICAN WIRE STANDARDS

Distance from power source to windlass	Models No. 2G, 2GW, 3G, 3GW 4 (5-24-32-115 Volt) 6			Model No. (5-12 Volt) 9- 11-12G-12GW
	12 Volt DC	32 Volt DC	115 Volt AC	12 Volt DC
0 to 10 ft.	No. 6	No. 10	No. 12	No. 4
10 to 15 ft.	No. 6	No. 10	No. 12	No. 4
15 to 20 ft.	No. 4	No. 8	No. 12	No. 2
20 to 25 ft.	No. 2	No. 6	No. 12	No. 1
25 to 30 ft.	No. 2	No. 6	No. 12	No. 0
Current at rated load	35 amp	23 amp	20 amp	72 amp
Recommended Fuse	60 amp	40 amp	30 amp	100 amp

Chain Information

Everything you need to know for buying chain for use with Plath wildcats.

◆ **R.C. Plath System 3 Proof Coil**

Chain Size	Actual Size	Weight per 100'	Working Load	Test Load Minimum	Ultimate Breaking	Inside Length	Inside Width
1/4	9/32	71	1,250	2,500	5,000	1.01	.48
5/16	11/32	107	1,900	3,800	7,600	1.10	.46
3/8	13/32	158	2,650	5,300	10,600	1.22	.59
1/2	17/32	268	4,500	9,000	18,000	1.54	.79

◆ **R.C. Plath System 4 High Test**

1/4	9/32	75	2,600	4,300	7,750	.79	.40
5/16	11/32	111	3,900	6,400	11,600	.98	.45
3/8	13/32	157	5,400	8,900	16,200	1.15	.58
7/16	15/32	213	7,200	11,900	21,500	1.31	.67
1/2	17/32	264	9,200	15,300	27,600	1.41	.76

◆ **R.C. Plath System 7 Binding Chain**

1/4	9/32	75	3,150	6,300	12,600	.82	.39
5/16	11/32	111	4,700	9,400	18,800	1.02	.46
3/8	13/32	157	6,600	13,200	26,400	1.14	.59
7/16	15/32	235	8,750	17,500	35,000	1.29	.65
1/2	17/32	264	11,300	22,600	45,600	1.43	.75

◆ **R.C. Plath System 8 High Strength Alloy Test**

1/4	9/32	75	4,100	8,200	14,400	.87	.44
5/16	5/16	91	5,100	10,200	17,800	.94	.46
3/8	13/32	159	7,300	14,600	25,600	1.11	.54
1/2	1/2	263	13,000	26,000	45,600	1.55	.72

System 3 same as System 3 - G3 - Grade 3 - Type 3

System 4 same as System 4 - G4 - Grade 4 - Type 4

System 7 same as System 7 - G7 - Grade 7 - Type 7

System 8 same as System 8 - G8 - Grade 8 - Type 8

Loss of strength specification due to galvanizing

System 3 approx. 0% reduction

System 4 approx. 10% reduction

System 7 approx. 20% reduction

System 8 approx. 30%+ reduction

Power Take-Offs

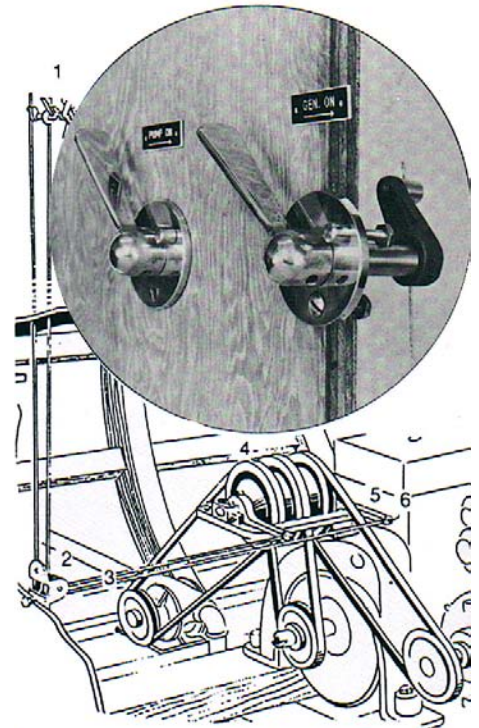
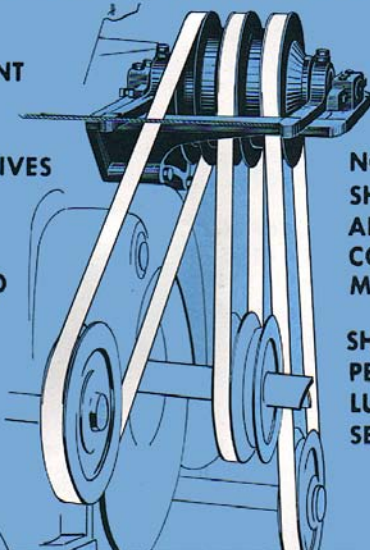
Now you can easily operate Generators, Winches, Bilge Pumps...with Plath's Power Take-off...direct from your main engine

TWO INDEPENDENT CONE CLUTCHES PROVIDE TWO INDEPENDENT DRIVES

MAY BE ENGAGED OR DISENGAGED AT ANY SPEED

NON-ROTATING SHAFT ELIMINATES ALL WEAR ON CONTROL MECHANISM

SHEAVES TURN ON PERMANENTLY LUBRICATED AND SEALED BEARINGS



Operates from V-Belt Pulley on Crankshaft Stub Shaft

Here is a practical solution for the auxiliary power problems on small vessels. With the PLATH Power Take-off, you can use the power of your main engine to efficiently operate high-capacity bilge pumps, generators, compressors and hydraulic pumps. Commercial fishing boats can also operate line shafting, gillnet reels, gurdies or washdown pumps.

Two independent cone clutches—with a direct or remote control for each—provide two independent drives. Power from the engine is transmitted through a V-belt drive to the center sheave of the take-off.

Movement of a control lever to the engaged position brings the outside sheave in contact with the cone clutch and power is immediately and smoothly transmitted to the auxiliary equipment through V-belt drive. Either of the drives may be used separately or both at the same time.

The non-rotating shaft made of stainless steel carries the V-belt sheaves that rotate on permanently lubricated and sealed ball bearings.

An adjustment is provided at each control in order to compensate for wear on the replaceable cone friction rings.

The PLATH Power take-off has been successfully used for more than 20 years—and is your solution to more pleasure—ore more efficient work for greater profits. You can order one now for immediate deliver.

Remote Controls for the PLATH Power Take-off may be installed in any location on your boat, for convenience or if the engine room is inaccessible. These controls provide quick response for putting into operation the engine room auxiliary equipment driven through the PLATH Power Take-off.

The Remote Controls are available in polished bronze or chrome plated.

Instructions For Installation

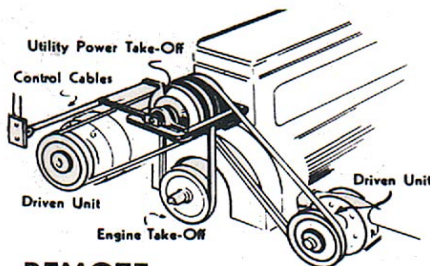
Mount Remote Control levers (No. 1) on any desirable bulkhead or panel.

Secure small pulleys or deckblocks (No. 2) where control cable (No. 3) changes direction between the Power Take-off (No. 4) and the Remote Control lever (No. 1).

Insert 3/32" diameter wire rope (control cable) (No. 3) through drilled holes in the end of Power Take-off engaging lever (No. 5) and secure by tightening 1/4" square head set screws (No. 6).

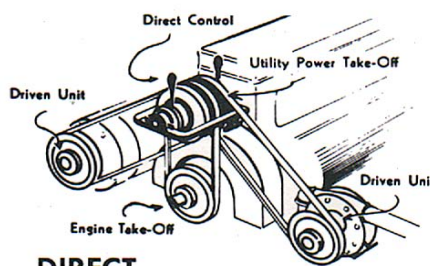
Thread cable pulleys to Remote Controls and insert cable in end of Bellcrank (No. 7).

Set Bellcrank on Remote Control so that when the control lever is actuated, sufficient tension is applied to the control cable to properly engage the Power Take off Clutch without slippage when under load. The Bellcrank should pass center just enough to hold the control in the engaged position.



REMOTE CONTROL

The lever type is for remote control only. Controls may be installed in any location convenient for your operation with cables connecting the Power Take-off levers.

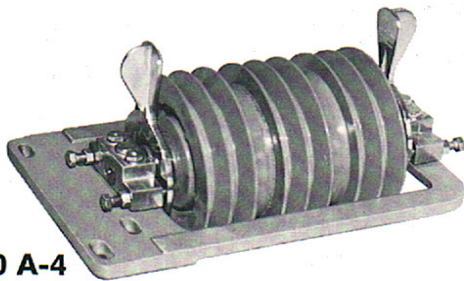
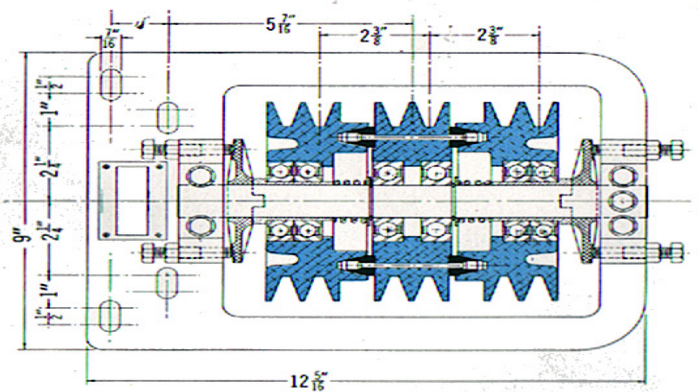
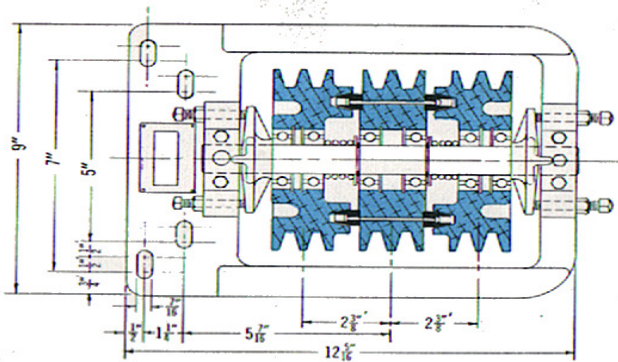
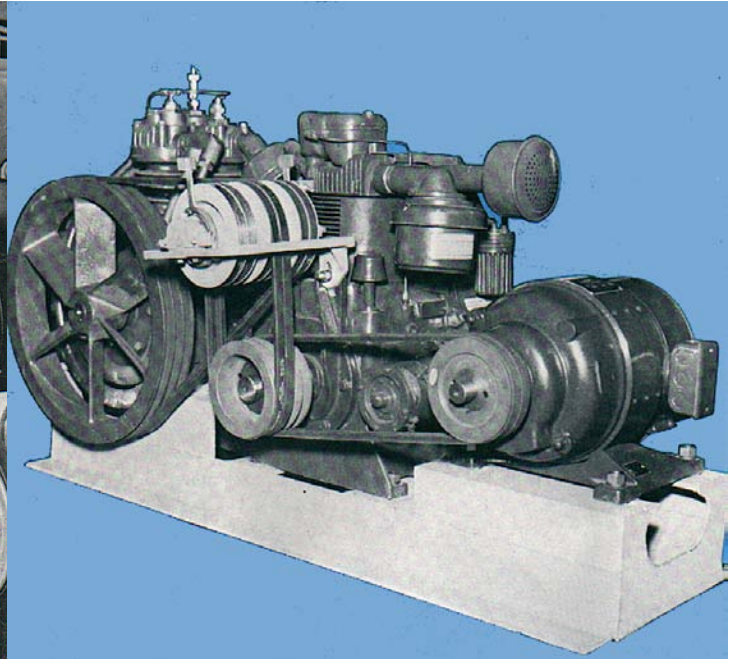
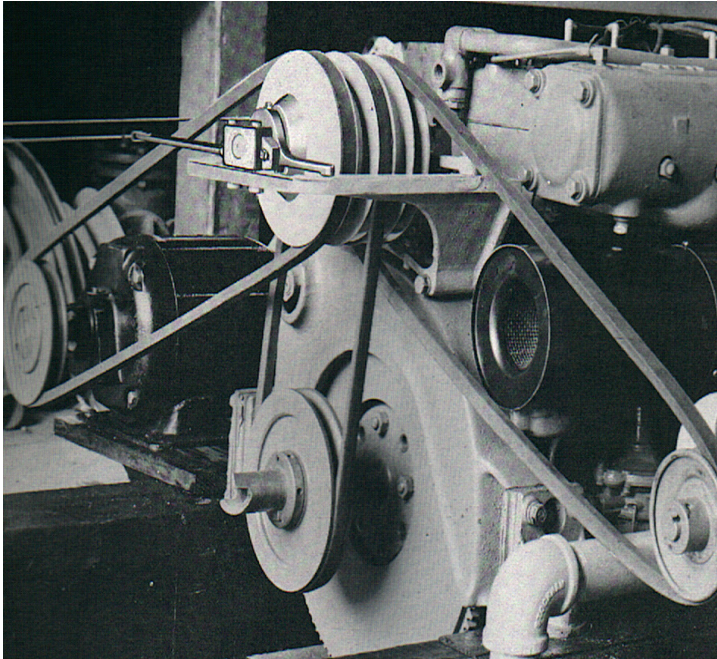


DIRECT CONTROL

The Direct control is very popular for commercial fishing craft and work boats. This type of control is most convenient where it is necessary to operate the clutches at the Power Take-off installation.

Model 60 A-4D Normal Duty

Model 60 X-4D Medium Duty

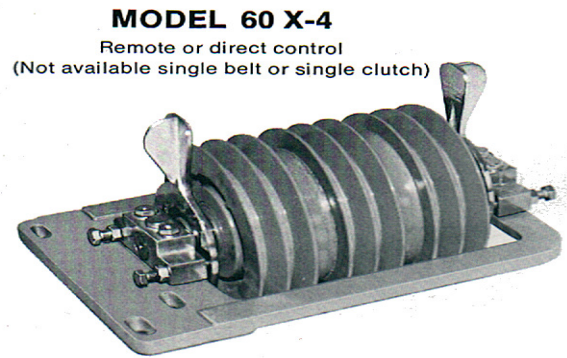


MODEL 60 A-4
Remote or direct control

The Model 60-A, PLATH Power Take-off is the standard unit designed for general service and to operate equipment requiring either a single or double belt drive. This model is also available with either a single or double clutch and for direct or remote control.

Simple design with few moving parts makes this a good clutch for marine applications.

Sheaves are made of corrosion resistant aluminum alloy. The shaft is stainless steel. Bearings are permanently lubricated and sealed, and other parts not made of bronze or stainless are protected against corrosion.



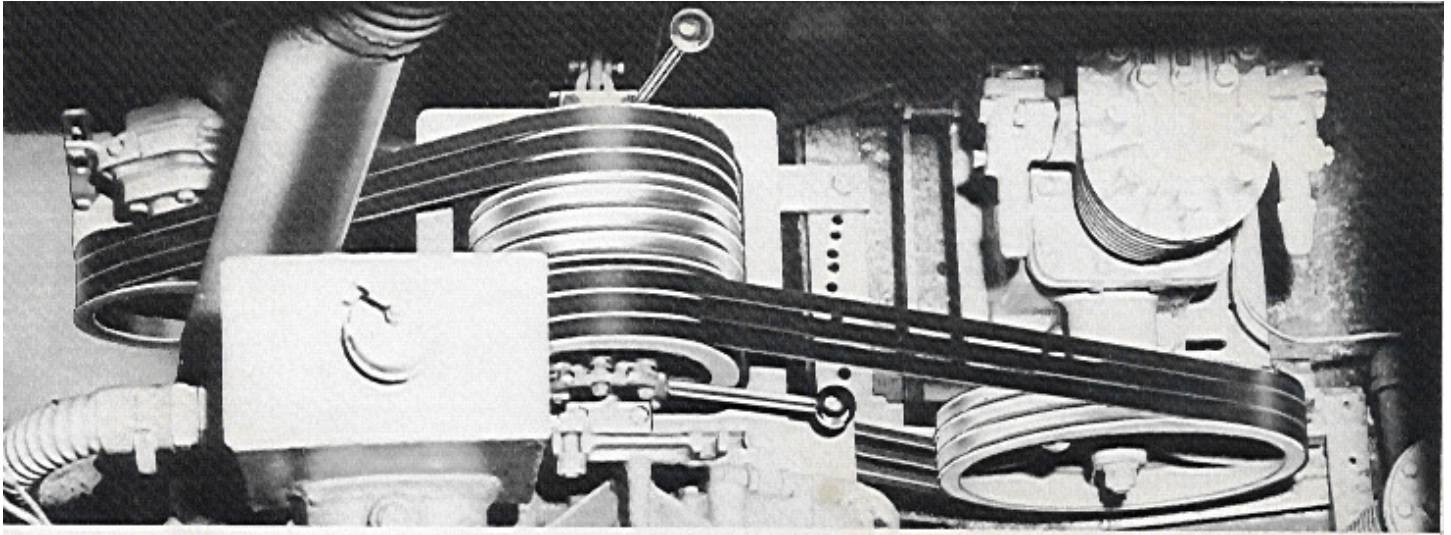
MODEL 60 X-4
Remote or direct control
(Not available single belt or single clutch)

The model 60-X, PLATH Power Take-off is similar to the Model 60-A, except that it has approximately 30% more capacity and is designed to handle heavier jobs.

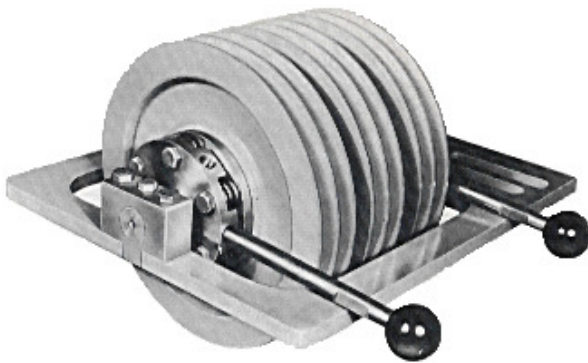
This unit is built with larger ball bearings, mounted on bronze engaging sleeves and longer control arms are provided on the direct control unit in order to attain greater clutch pressures.

Model 60-X is made for double belt drive and as a double clutch only, but it can be furnished for either direct or remote control.

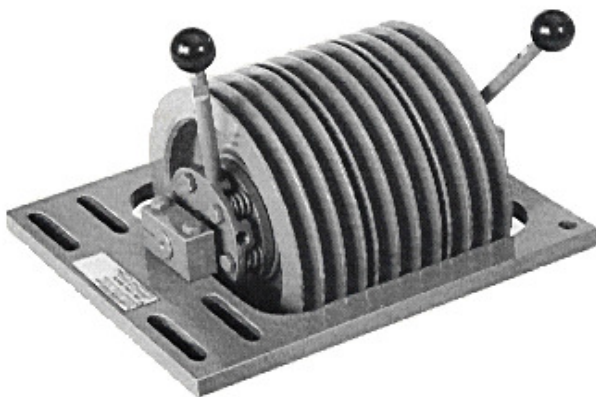
Model No. 90A Heavy Duty



Model 90A - 3D



Model 90A - 4D



The Model 90A, PLATH Power Take-off is designed for applications requiring more power or higher torque at slower speeds.

This unit is similar to the other models, except for its size and the engaging mechanism.

A spring loaded pressure plate is built into the engaging control to provide a predetermined clutch pressure for maintaining maximum capacity and at the same time eliminating the possibility of excessive thrust to the bearings.

Sheaves are made of hi-tensile heat treated aluminum alloy, shaft is stainless steel, ball bearings are permanently lubricated and sealed.

Sheave Size

- ◆ 8.6"

Weight

- ◆ 85 lbs.

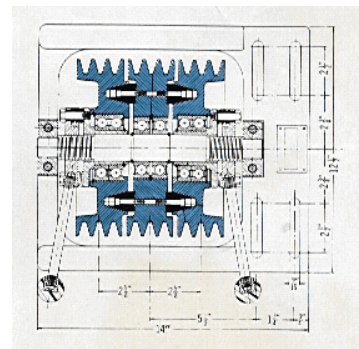
Pitch Diameter

- ◆ 9" O.D. for "B" Belts

Capacity

- ◆ Double belt drive—1.0 H.P. per 100 R.P.M.
- ◆ Triple belt drive—1.5 H.P. per 100 R.P.M.

Direct Control only



Open Chocks



Rope pass is round and symmetrical to length, making one design suitable for both port and starboard as well as for the gunnel. Mooring rope is free to move in a 90 degree arc on either or both sides. Matched in appearance to dress up the deck of a runabout when used with companion fittings: bow handles and mooring cleats.

Part Number	Finish	Length	Weight	Screw Holes
3405	chrome plated	4"	7 oz.	2 - No. 8
3406	white paint	4"	3 oz.	2 - No. 8
3505	chrome plated	5"	12 oz.	2 - No. 10
3506	white paint	5"	5 oz.	2 - No. 10

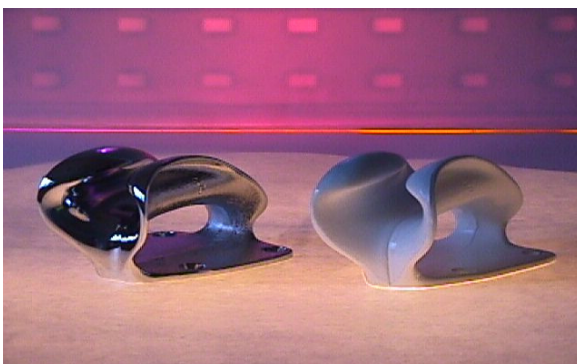
Anchor Chocks



This chock curved over gunnel provides an easy haul on anchor and protects your boat against wear. Rope is easily pulled out when lifting anchor into boat. This chock has 2 - No. 10 screw holes.

Part Number	Finish	Length	Weight
5405	chrome plated	4"	10 oz.
5406	white paint	4"	4 oz.

Bow Chock



These bow chocks double as a bow handle and an anchor rope guide. With our variety of finishes, you not only get the look you want for your boat, but you get time tested durability. Mounting screws are not furnished as it is best to select the proper size and style according to material on which chock is fastened.

Part Number	Finish	Length	Width	Height	Weight
1505B	rough bronze	5"	3 1/2"	3"	1 lb. 10 oz.
1505P	polished bronze	5"	3 1/2"	3"	1 lb. 10 oz.
1505C	chrome plated	5"	3 1/2"	3"	1 lb. 10 oz.
1526W	white paint	5"	3 1/2"	3"	10 oz.
1526A	aluminum	5"	3 1/2"	3"	10 oz.

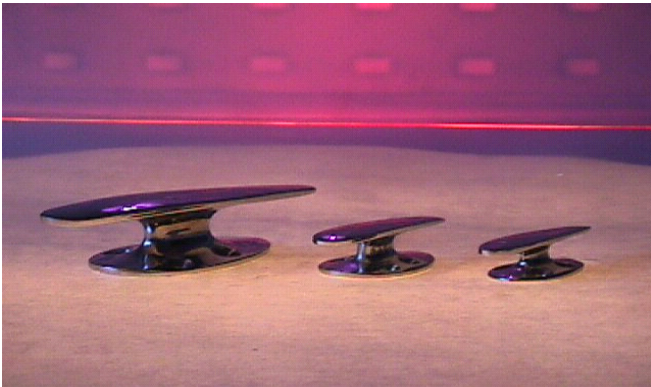
Bow Chock w/Pulley



Part Number	Finish	Length	Width	Height	Weight
1545B	rough bronze	5 1/2"	3 5/8"	3"	1 lb. 14 oz.
1545P	polished bronze	5 1/2"	3 5/8"	3"	1 lb. 14 oz.
1545C	chrome plated	5 1/2"	3 5/8"	3"	1 lb. 14 oz.
1546W	white paint	5 1/2"	3 5/8"	3"	12 oz.
1546A	aluminum	5 1/2"	3 5/8"	3"	12 oz.

These bow chocks double as a bow handle and an anchor rope guide. With our variety of finishes, you not only get the look you want for your boat, but you get time tested durability. Mounting screws are not furnished as it is best to select the proper size and style according to material on which chock is fastened.

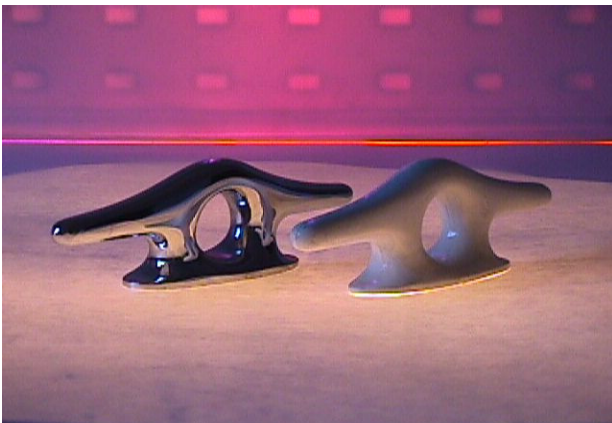
Mooring Cleats



One general design is embodied in six sizes of cleats. Open ends are large for quick fastening of ropes. Mounting screws are not furnished as it is best to select size according to material on which cleat is fastened.

Part Number	Finish	Length	Weight
4305	chrome plated	3"	3 oz.
4306	white paint	3"	2 oz.
4355	chrome plated	3 1/2"	4 oz.
4356	white paint	3 1/2"	2 oz.
4405	chrome plated	4"	6 oz.
4406	white paint	4"	3 oz.
4505	chrome plated	5"	11 oz.
4506	white paint	5"	3 oz.
4605	chrome plated	6"	15 oz.
4606	white paint	6"	7 oz.
4705	chrome plated	7"	1 lb. 4 oz.
4706	white paint	7"	8 oz.

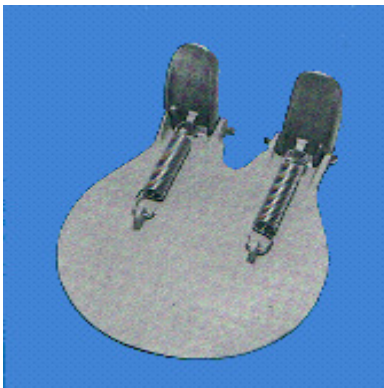
Ski Tow Cleats



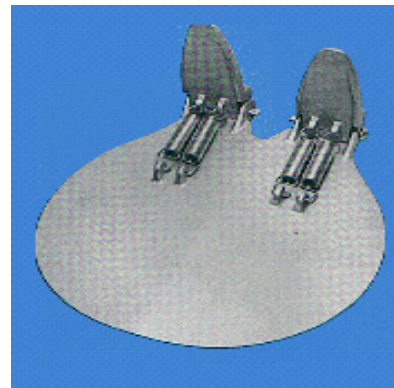
Full rounded posts with large base. Used for **towing** water skiers, **anchoring**, **mooring**, and **lifting** boats 18' to 24' in length. This cleat has 2 - 3/8" NC tapped holes.

Part Number	Finish	Length	Weight
9705	chrome plated	7"	1 lb. 10 oz.
9706	white paint	7"	9 oz.

Trolling Brakes



Mounts on anti-cavitation plate. Dihedral blade steers true. Lets you troll to a standstill. Reduces top speed approximately 1 mph. All brakes shown are cast aluminum with plated springs.

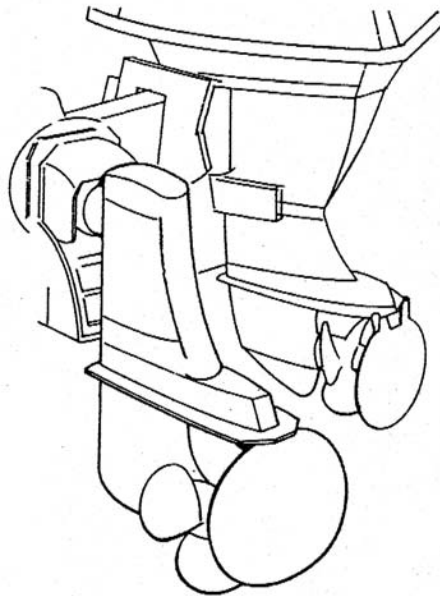


For motors to 18 hp.

Part Number	Weight
9086	1 lb. 4 ozs.

For motors 25hp. to 100 hp.

Part Number	Weight
9087	2 lbs. 4 ozs.



For late model outboards with adjustable trim tabs and 10 units to 100 hp.

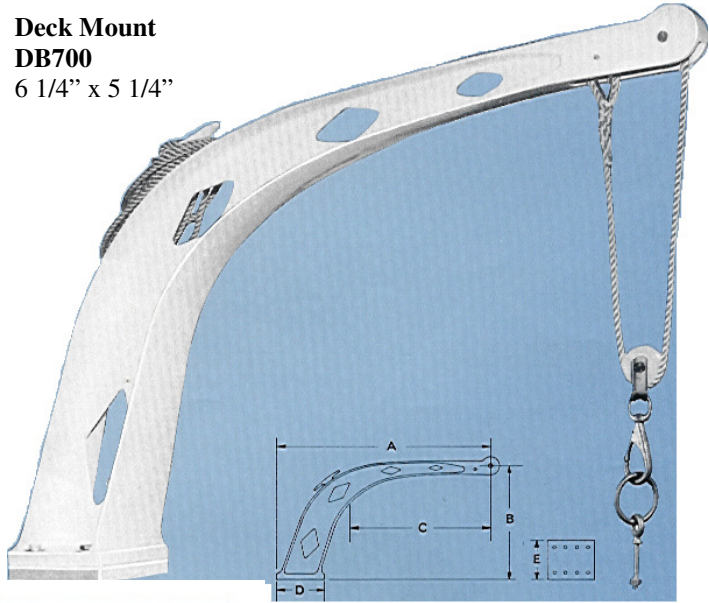
Part Number	Weight
9088	2 lbs. 8 ozs.



For all makes inboard / outboard units through 225 hp.

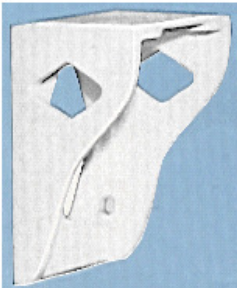
Part Number	Weight
9089	8 lbs.

**Deck Mount
DB700**
6 1/4" x 5 1/4"



Arched Stern Davits

Modern in appearance, functional in design, davits fit under stern rails. Easily removed from chrome plated cast bronze bases for quick storage. Lightweight, high tensile strength aluminum castings. Finished with white epoxy resin enamel, aluminum anodized before painting. All fittings chrome plated brass or stainless steel. Nylon rollers and line for lasting appearance and strength. Available for all dinghy sizes. Set includes two davits.



**Transom Mount
TM 600**

	A	B	C	D	E	Recommended Dinghy Beam	Load per pair
100 Series	32	19	24	6	5	48"	250 lbs.
200 Series	34	21	26	6	5	54"	350 lbs.
300 Series	36	24	28	6	5	56"	500 lbs.
400 Series	40	27	30	6	5	60"	600 lbs.

100 SERIES

2 Arches, 2 rollers, 2 stainless steel thimbles **No. RP100** 22 lbs.
 Complete line and fittings, no base **No. RP110** 24 lbs.
 Complete with detachable base **No. RP120** 35 lbs.

200 SERIES

2 Arches, 2 rollers, 2 stainless steel thimbles **No. RP200** 23 1/2 lbs.
 Complete line and fittings, no base **No. RP210** 25 1/2 lbs.
 Complete with detachable base **No. RP220** 36 1/2 lbs.

300 SERIES

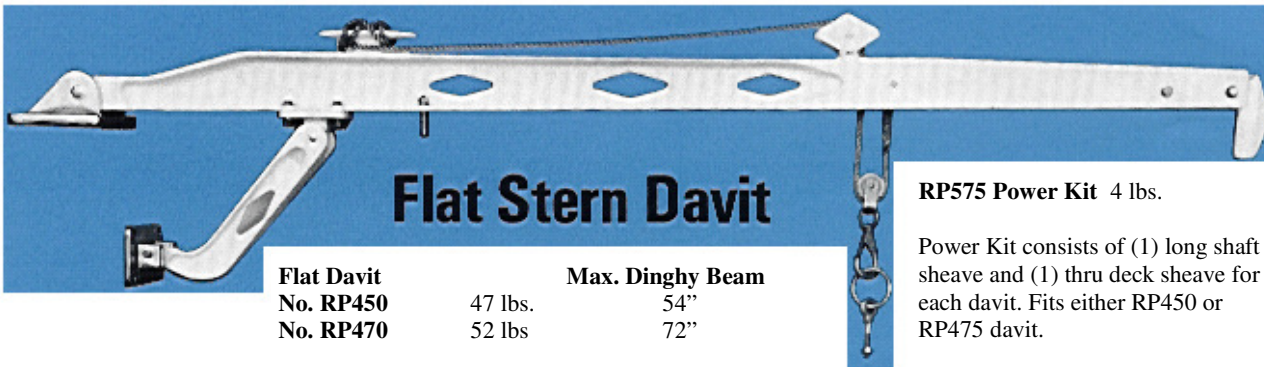
2 Arches, 2 rollers, 2 stainless steel thimbles **No. RP300** 25 1/2 lbs.
 Complete line and fittings, no base **No. RP310** 27 1/2 lbs.
 Complete with detachable base **No. RP320** 38 1/2 lbs.

400 SERIES

2 Arches, 2 rollers, 2 stainless steel thimbles **No. RP400** 27 lbs.
 Complete line and fittings, no base **No. RP410** 29 lbs.
 Complete with detachable base **No. RP420** 40 lbs.

ACCESSORY ITEMS

Line and fittings kit (specific series) **LK500** 2 lbs.
 Transom mount (fits all models) **TM600** 6 lbs.
 Deck detachable base (fits all models) **DB700** 11 lbs.



Flat Stern Davit

Flat Davit		Max. Dinghy Beam
No. RP450	47 lbs.	54"
No. RP470	52 lbs	72"

RP575 Power Kit 4 lbs.

Power Kit consists of (1) long shaft sheave and (1) thru deck sheave for each davit. Fits either RP450 or RP475 davit.

TABLE OF CONTENTS

Anchor Windlass:	
Model 2G.....	1
Model 2GW.....	2
Model 3G.....	3
Model 3GW.....	4
Model 4.....	5
Model 4H.....	6
Model 5A.....	7
Model 5B.....	7
Model 6A.....	8
Model 6B.....	8
Model 7A.....	9
Model 7B.....	9
Model 9A.....	10
Model 9B.....	10
Model 11A.....	11
Model 11B.....	11
Model 12G.....	12
Model 12GW.....	13
Foot Switch for Electric Winch.....	14
Power Up/Power Down Panel.....	15
Anchor Windlass Protection Panel.....	15
Specifications.....	16
Chain Information.....	17
Power Take-Offs.....	18-20
Open, Anchor & Bow Chocks.....	21
Bow Chocks w/Pulley.....	22
Mooring Cleats.....	22
Ski Tow Cleats.....	22
Trolling Brakes.....	23
Davits.....	24
Index.....	25-26